

4

3

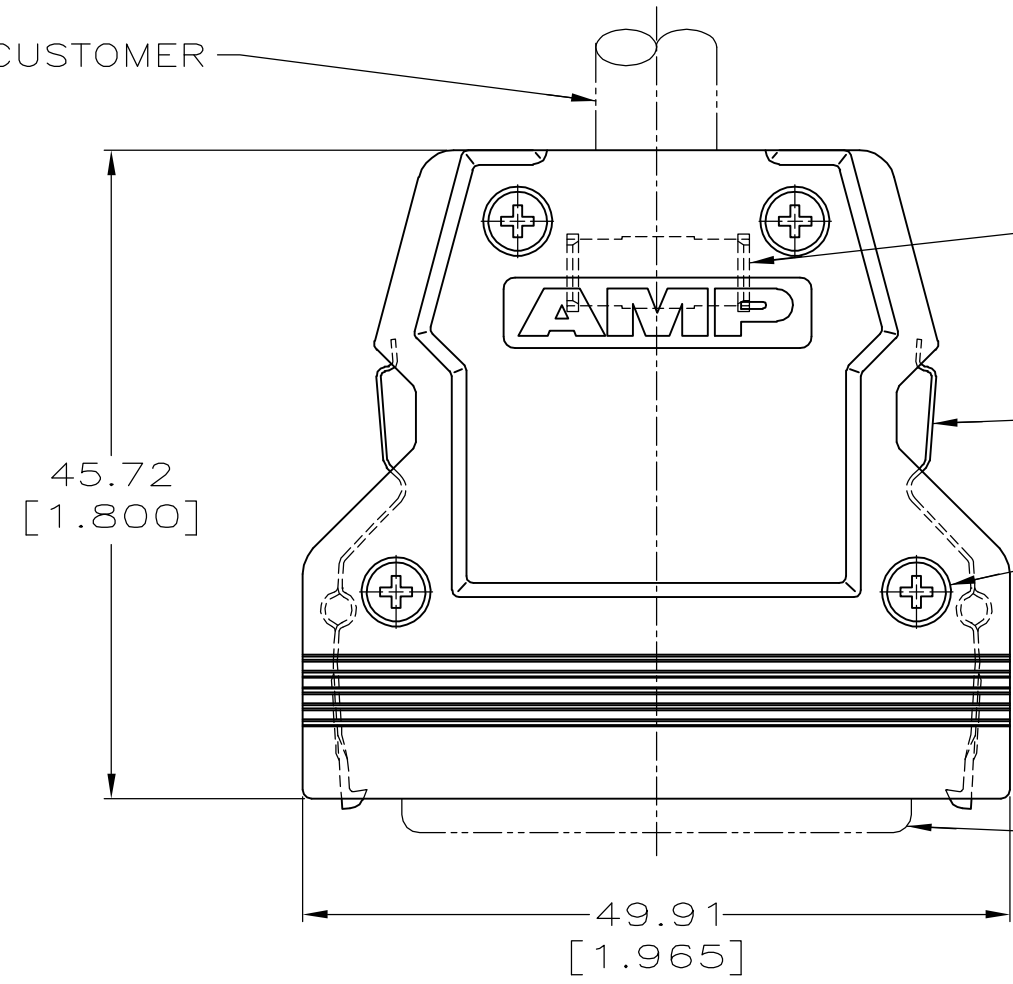
2

1

THIS DRAWING IS UNPUBLISHED. RELEASED FOR PUBLICATION
 © COPYRIGHT BY TYCO ELECTRONICS CORPORATION. ALL RIGHTS RESERVED.

LOC	DIST	REVISIONS					
GP	00	P	LTR	DESCRIPTION	DATE	OWN	APVD
		0		RELEASED PER EC 0S13-0287-05	17NOV05	JG	SS

CABLE SUPPLIED BY CUSTOMER
 Ø.480 MAX



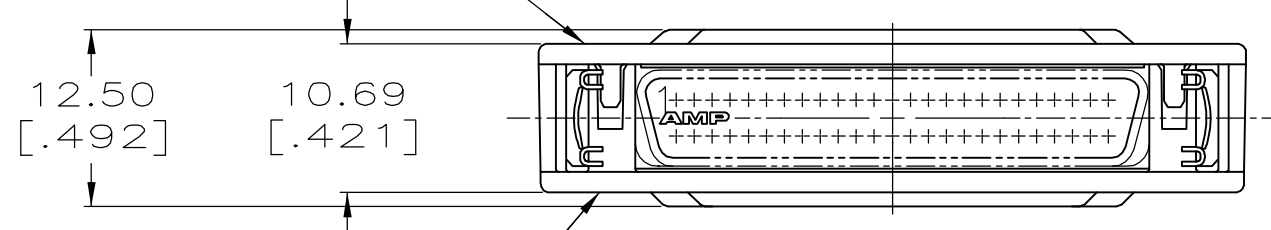
STRAIN RELIEF STAPLE (1 SUPPLIED)
 MATERIAL: STEEL
 FINISH: BRIGHT TIN OVER NICKEL

SPRING LATCH (2 SUPPLIED)
 MATERIAL: STAINLESS STEEL

MACHINE SCREW (4 SUPPLIED)
 #2-56 UNC X.250
 STAINLESS STEEL

CONNECTOR (MUST BE
 PURCHASED SEPARATELY)

UPPER BACKSHELL (1 SUPPLIED)
 MATERIAL: ZINC
 FINISH: NICKEL OVER COPPER



LOWER BACKSHELL (1 SUPPLIED)
 MATERIAL: ZINC
 FINISH: NICKEL OVER COPPER

⚠ PARTS PACKAGED AS A UNIT KIT.
 ⚠ PARTS INDIVIDUALLY BULK PACKAGED & SHIPPED AS A UNIT PACKAGE.

⚠ 2	5749889-4
⚠ 1	5749889-3
PACKAGING	PART NO

**COPYRIGHT 2005
 TYCO ELECTRONICS CORP
 ALL RIGHTS RESERVED**

THIS DRAWING IS A CONTROLLED DOCUMENT.		DWN J.GERACE	17NOV05	tyco Electronics	Tyco Electronics Corporation Harrisburg, PA 17105-3608	
DIMENSIONS: mm[INCHES]		CHK S.SHUEY	17NOV05		NAME M.WALMSLEY	
TOLERANCES UNLESS OTHERWISE SPECIFIED:		APVD M.WALMSLEY		PRODUCT SPEC		
0 PLC ± -		APPLICATION SPEC		SIZE CAGE CODE DRAWING NO		
1 PLC ± -		WEIGHT		RESTRICTED TO		
2 PLC ± 0.38 [.015]		CUSTOMER DRAWING		A2 00779 C-5749889		
3 PLC ± -		SCALE 2:1		SHEET 1 of 1		
4 PLC ± -		REVISIONS		REV 0		
ANGLES ± ± -		FINISH				
SEE CALLOUTS						

5749889

A